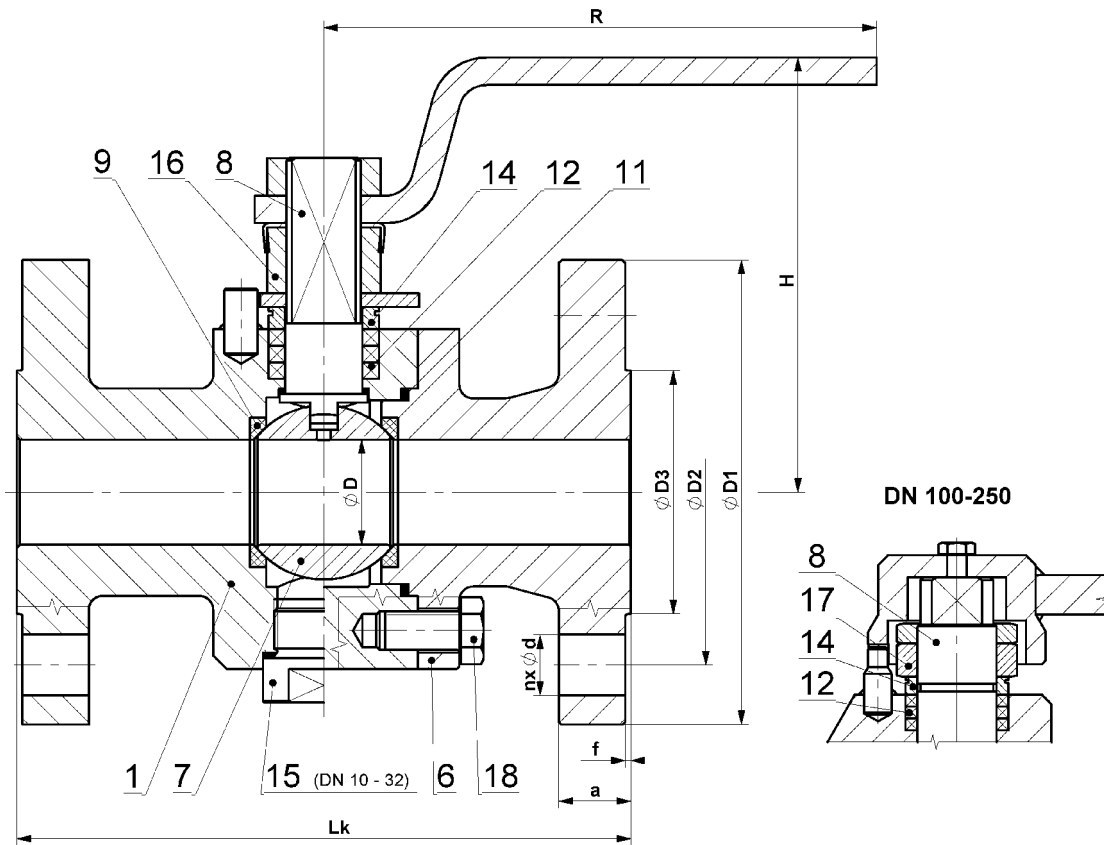


FLANGED BALL VALVE WITH STUFFING BOX KM 9108.X-SB

DN 10–250 PN 16–250



Materials

Type KM 9108.X-SB		Material			
		Carbon steel		Stainless steel	
Position	Component	X=1 For common temperatures from -20°C to +230°C	X=5 For low temperatures from -46°C to +230°C	X=3 For temperatures from -60°C to +230°C	X=4 For temperatures from -60°C to +230°C
1	Body	1.0577, S355J2	1.0565, A350 LF2	1.4541, A182 F321	1.4571, A182 F316
6	Cover				
7	Ball	1.4571, A182 F316, A351 CF8M, ČSN 17 027			
8	Stem	1.4021, ČSN 17 027	1.4541, A182 F321	1.4541, A182 F321	1.4571, A182 F316
9	Seat	PTFE+C, PEEK			
11	Gasket	Graphite			
12	Packing	Graphite			
14	Gland cover	1.4021, ČSN 17 027			
15	Screw plug	1.0577, S355J2	1.0565, A350 LF2	1.4541, A182 F321	1.4571, A182 F316
16	Nut	Cl.8, A2-70, A194 Gr. 2H	A2-70, A194 Gr. 7	A2-70, A194 Gr. 8	A2-70, A194 Gr. 8
17	Nut	1.4021, ČSN 17 027			
18	Bolt	8.8, A2-70, A193 B7	A2-70, A320 L7	A2-70, A193 B8	A2-70, A193 B8

Other materials upon request (P265GH, 1.4306, 1.4462 etc.).

Dimensions and weights

PN 16, 25, 40	DN	øD	øD1	øD2	øD3	f	a	n	ød	Lk=F1	Lk=F4				H	R	Hm / W
	10	9,5	90	60	40	2	16	4	14	130					99	150	2.6
	15	14	95	65	45	2	16	4	14	130					109	200	3.5
	20	19	105	75	58	2	18	4	14	150					110	200	4.9
	25	25	115	85	68	2	18	4	14	160	125				128	250	6.5
	32	30	140	100	78	2	18	4	18	180	130				132	250	9
	40	38	150	110	88	2	18	4	18	200	140				145	250	12.8
	50	47	165	125	102	2	20	4	18	230	150				157	250	18.3
	65	62	185	145	122	2	22	8	18	290	170				170	450	31.5
80	76	200	160	138	2	24	8	18	310	180				182	350	36	
PN 16	DN	øD	øD1	øD2	øD3	f	a	n	ød	Lk=F1	Lk=F4	Lk=F5	Lk=F6	Lk=F7	H	R	Hm / W
	100	98	220	180	158	2	20	8	18	350	190				190	450	
	125	119	250	210	188	2	22	8	18	400		325			210	545	80.5
	150	150	285	240	212	2	22	8	22	480		350			230	540	102
	200*	200	340	295	268	2	24	12	22	600		400					
250**	250	405	344	320	2	26	12	26	730								
PN 25 PN 40	DN	øD	øD1	øD2	øD3	f	a	n	ød	Lk=F1	Lk=F4	Lk=F5	Lk=F6	Lk=F7	H	R	Hm / W
	100	98	235	190	162	2	24	8	22	350	190				204	545	61
	125	119	270	220	188	2	26	8	26	400		325					
150*	150	300	250	218	2	28	8	26	480		350		450				
PN 25	DN	øD	øD1	øD2	øD3	f	a	n	d	Lk=F1	Lk=F4	Lk=F5	Lk=F6	Lk=F7	H	R	Hm / W
	200**	200	360	312	278	2	30	12	26	600					-	-	
250**	250	425	370	335	2	32	12	30	730						-	-	
PN 40	DN	øD	øD1	øD2	øD3	f	a	n	d	Lk=F1	Lk=F4	Lk=F5	Lk=F6	Lk=F7	H	R	Hm / W
	200**	200	375	320	285	2	34	12	30	600					-	-	238
250**	250	450	385	345	2	38	12	33	730						-	-	
PN 63, 100	DN	øD	øD1	øD2	øD3	f	a	n	ød	Lk=F1		Lk=F5	Lk=F6	Lk=F7	H	R	Hm / W
	10	9,5	100	70	40	2	20	4	14	130							
	15	14	105	75	45	2	20	4	14	130					108	200	4.3
	20	19	130	90	58	2	22	4	18	150							
	25	25	140	100	68	2	24	4	18	160					128	250	8.9
	32	30	155	110	78	2	24	4	22	180							
40	38	170	125	88	2	26	4	22	200					144	250	16	
PN 63	DN	øD	øD1	øD2	øD3	f	a	n	ød	Lk=F1		Lk=F5	Lk=F6	Lk=F7	H	R	Hm / W
	50	47	180	135	102	2	26	4	22	230					160	300	21.5
	65	62	205	160	122	2	26	8	22	290					161	450	34.9
	80	76	215	170	138	2	28	8	22	310							
	100	98	250	200	162	2	30	8	26	350							
	125*	119	295	240	188	2	34	8	30	400							
	150**	150	345	280	218	2	36	8	33	480		350			-	-	
	200**	195	415	345	285	2	42	12	36	600			500	550	-	-	
250**	250	470	400	345	2	46	12	36	730			600		-	-		
PN 100	DN	øD	øD1	øD2	øD3	f	a	n	ød	Lk=F1		Lk=F5	Lk=F6	Lk=F7	H	R	Hm / W
	50	47	195	145	102	2	28	4	26	230					160	300	25.4
	65	62	220	170	122	2	30	8	26	290							
	80	76	230	180	138	2	32	8	26	310							
	100*	98	265	210	162	2	36	8	30	350							
	125**	119	315	250	188	2	40	8	33	400				400	-	-	
150**	150	355	290	218	2	44	12	33	480				450	-	-		

* = gearbox recommended.** = with gearbox only.

Overall length F1 is preferred (if specified). Dimensions in [mm], weights in [kg].

Weight shown is valid for lengths marked in bold. Dimensions for PN 160, 250 upon request.

Application

Isolating valve designed to fully open or close the service fluid flow. It is not designed to be used for throttling or regulating purposes. For temperatures from -60 °C up to +230 °C.

Suitable for:

- water, steam, gas, oil, crude oil, acid, alkali and other liquids and gases without mechanical impurities.

Approved for:

- fluids in groups 1 (hazardous) and 2 according to 2014/68/EU.

Characteristics

- floating ball,
- full bore,
- anti-static design,
- stem secured against release (anti-blow-out).

Optional accessories, adjustments and services

- different face-to-face dimensions or end combinations,
- adaptation of face form (Groove, Tongue, Spigot, Recess, O-ring groove, RTJ),
- connection for actuator according to ISO 5211,
- fire-safe design – fire resistance in accordance with EN ISO 10497 (API 607),
- heating jacket – for keeping the fluid liquid,
- lockable handle with a padlock,
- extended stem – e.g. for the reason of insulation of the valve and pipeline,
- design according to TA-Luft or EN 15848-1,
- limit switches,
- documentation according to EN 10204 3.2,
- special adjustments according to customer requests,
- design according to standard NACE MR 0175 or ISO 15156,
- all seals from PTFE material.

Type designation

KM 9 1 0 8 . X - S B

Type of KE-ARM valve – straight ball valve
Control: 0 = lever 3 = gear box or adjustment for actuator

Type series – with stuffing box
Material – according to table
Connection to pipeline: 8 = flanged

Operation

- hand lever,
- hand wheel with worm gear,
- pneumatic actuator,
- electric actuator.

Compliance with standards

- EN 1983,
- EN 12516-1,
- EN 1092-1,
- EN 558-1,
- EN ISO 5211,
- EN 13463-1 (ATEX) – II 1 GD Ex IIC TX, I M1.

Testing

- EN 12266-1, leakage rate A – zero leakage.